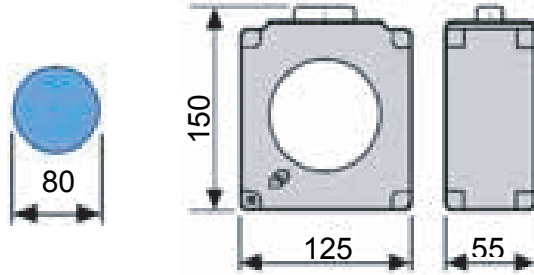
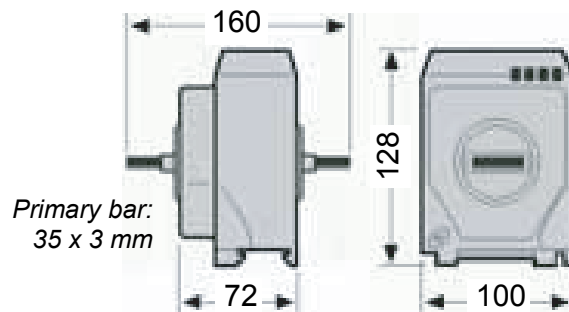


Dimensions Protection current transformers

CTA 51/0



CTA 03



CTA 04

