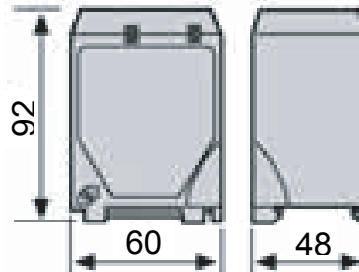


## Dimensions Wound-primary current transformers

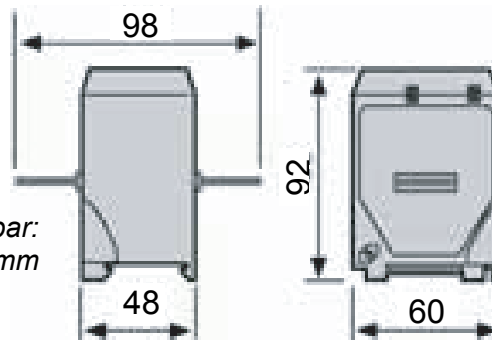
CTA 0

*10 mm<sup>2</sup> cage terminals*



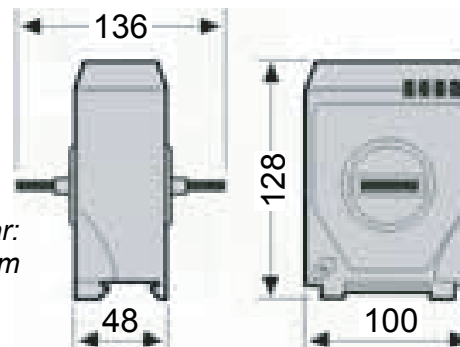
CTA 01

*Primary bar:  
10 x 3 mm*



CTA 02

*Primary bar:  
35 x 3 mm*



CTA 03

*Primary bar:  
35 x 3 mm*

